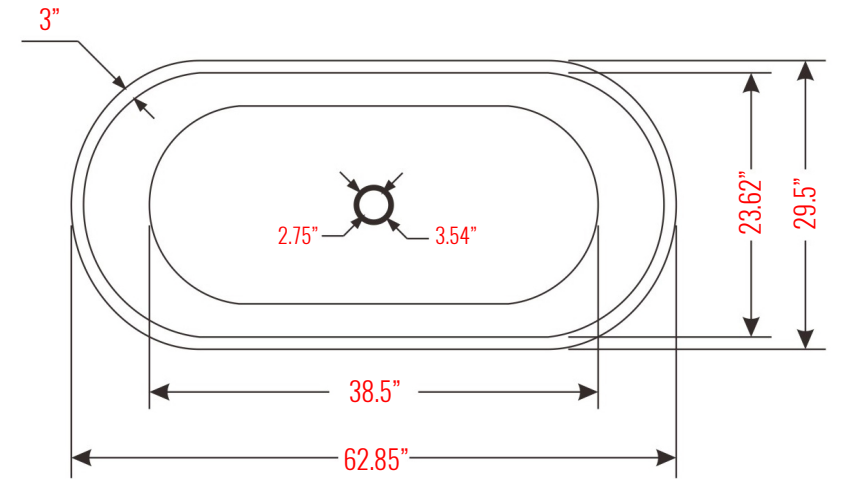


## FEATURES

- Slim Rectangular Overflow with Polished Chrome Finish
- Non-Porous, Easy to Clean Surface
- High Heat Retention
- UPC Approved



Unit	Length	Width	Height
inches	62.85"	29.5"	23.62"
mm	1596.39	749.3	599.94

